



Applies To: **2003–08 Civic Hybrid** – Check the iN VIN status for eligibility

**December 21, 2012**

## Warranty Extension: IMA Battery Module

(Supersedes 12-077, dated November 17, 2012, to revise the information marked by the black bars)

### REVISION SUMMARY

- The BACKGROUND was changed.
- Under REPAIR PROCEDURE, a step was added.

### BACKGROUND

American Honda is extending the warranty coverage on the IMA battery module for some 2003–08 Civic Hybrids an additional 12 months or 12,000 miles, whichever comes first.

Year/Model	Original Warranty	Extended Warranty	Warranty Claim Information
2003–05 Civic Hybrid	8 years/ 80,000 miles	9 years/ 96,600 miles	Warranty Claim Information A
	10 years/150,000 miles	11 years/170,100 miles	Warranty Claim Information B
2006 Civic Hybrid	8 years/ 80,000 miles	9 years/ 96,600 miles	Warranty Claim Information C
	10 years/150,000 miles	11 years/170,100 miles	Warranty Claim Information C
2007–08 Civic Hybrid	8 years/ 80,000 miles	9 years/ 92,000 miles	Warranty Claim Information C
	10 years/150,000 miles	11 years/162,000 miles	Warranty Claim Information C

NOTE: 2003–06 Civic Hybrids are covered by Service Bulletin 06-085, *Warranty Extension: Vehicle Warranty Mileage*, which adds an additional 5% to the warranty coverage.

The original battery warranty coverage was either 8 years/80,000 miles or 10 years/150,000 miles. To determine the vehicle’s IMA battery warranty, go to the iN.

- Under **SERVICE**, select **Vehicle Information**.
- Select **Powertrain & Emissions Inquiry**.
- Select the **Customer State**, and enter the VIN.
- Enter the failed P/N 1D010-RMX-A01ZA under **Part**, then click **Submit**.

NOTE: Do not use the part numbers listed under PARTS INFORMATION as the Emission Warranty will not appear.

- The vehicle’s warranty coverage is listed under Emission Warranty. Use this information to select the applicable extended warranty.

**Powertrain and Emissions Warranty Coverage Inquiry**

Identification IF40001				
Inquiry Information				
VIN JHMFA36217S010227		Customer State OK - Oklahoma		
Description CIVIC 4DR HYBNAVI	Year 2007	Model FA3627GW	Emission Type KA	
Item	Part Number	Description	Powertrain Warranty	Emission Warranty
1	1D010-RMX-A01ZA	IMA BATTERY *1H1671*	NOT A POWERTRAIN PART	8/80

[Back](#)



**CUSTOMER INFORMATION:** The information in this bulletin is intended for use only by skilled technicians who have the proper tools, equipment, and training to correctly and safely maintain your vehicle. These procedures should not be attempted by “do-it-yourselfers,” and you should not assume this bulletin applies to your vehicle, or that your vehicle has the condition described. To determine whether this information applies, contact an authorized Honda automobile dealer.

## CUSTOMER NOTIFICATION

Customers of affected 2003–08 Civic Hybrids were notified of this warranty extension.

Before doing work on a vehicle, verify its eligibility by doing an iN VIN status inquiry.

## CORRECTIVE ACTION

Diagnose the IMA battery problem, and replace the IMA battery if needed.

## PARTS INFORMATION

NOTE: To order a replacement battery, refer to Service Bulletin 10-061, *IMA Battery Exchange Program*.

2003–05 Civic IMA Battery:  
P/N 1D070-PZA-325RM

2006–08 Civic IMA Battery:  
P/N1D070-RMX-A51RM

## WARRANTY CLAIM INFORMATION A

Operation Number: 1181R6

Flat Rate Time: 1.7 hours (includes diagnosis, IMA battery replacement, and junction board transfer)

Failed Part: P/N 1D010-RMX-A01ZA

Defect Code: 5E300

Symptom Code: S7000

Skill Level: Repair Technician

## WARRANTY CLAIM INFORMATION B

Operation Number: 1181R7

Flat Rate Time: 1.7 hours (includes diagnosis, IMA battery replacement, and junction board transfer)

Failed Part: P/N 1D010-RMX-A01ZA

Defect Code: 5E300

Symptom Code: S7100

Skill Level: Repair Technician

## WARRANTY CLAIM INFORMATION C

Operation Number: 1181R8

Flat Rate Time: 1.7 hours (includes diagnosis, IMA battery replacement, and junction board transfer)

Failed Part: P/N 1D010-RMX-A01ZA

Defect Code: 5E300

Symptom Code: S7200

Skill Level: Repair Technician

## DIAGNOSIS

Diagnose the problem with the IMA battery. Refer to the applicable service manual or online, enter keywords **HOW TO**, and select **How to Troubleshoot the IMA System**.

## REPAIR PROCEDURE

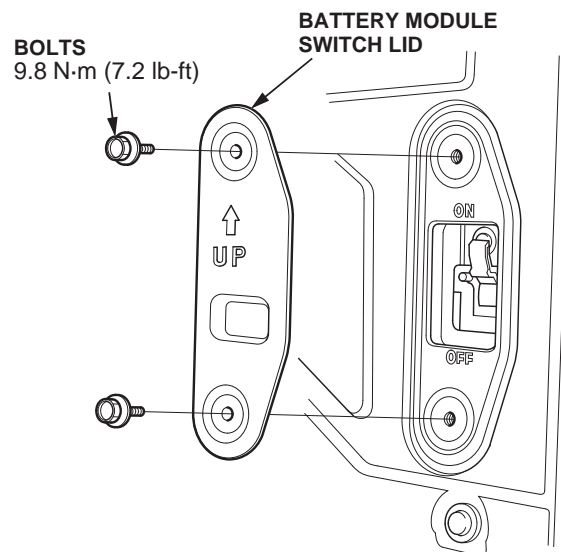
The following service manual procedures have been used in full or in part within this service bulletin. For more detail on these procedures, refer to the appropriate service manual, or view them online.

- 12 Volt Battery Terminal Disconnection and Reconnection
- IPU Lid Removal/Installation
- Rear Seat Removal/Installation
- IMA System Service Precautions

NOTE: You will need to transfer the junction board from the original battery module to the replacement battery module. Make sure that you review Service Bulletin 12-048, *Junction Board Replacement (IMA Battery Module Replacement and Transfer of Junction Board)* and complete the required training modules before starting this procedure.

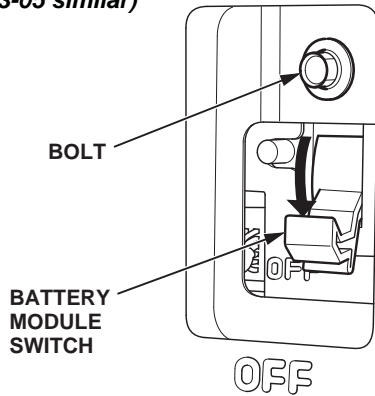
1. Make sure the ignition switch is in LOCK (0).
2. Do the battery terminal disconnection procedure.
3. Remove the rear seat-back and the rear seat cushion.
4. Remove the battery module switch lid.

**2006-08 Shown (2003-05 similar)**



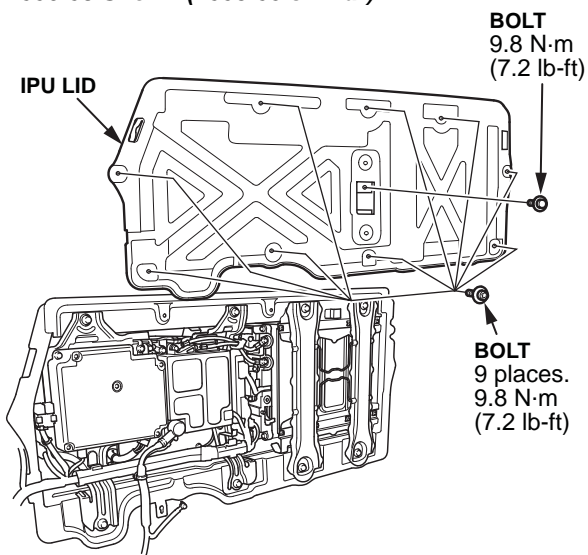
5. Turn the battery module switch OFF.

*2006-08 Shown  
(2003-05 similar)*



6. Remove the IPU lid.

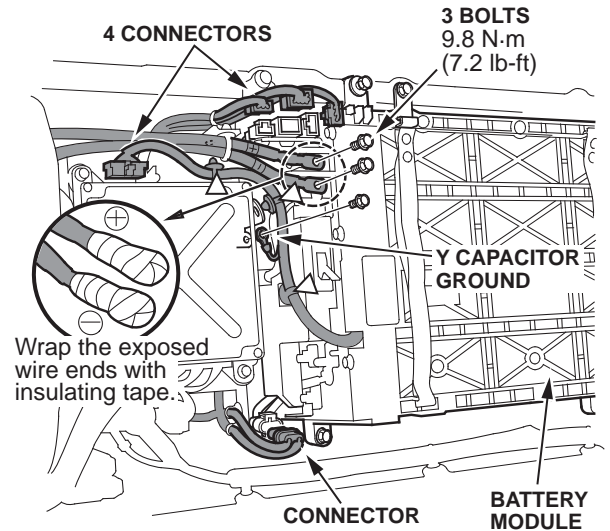
*2006-08 Shown (2003-05 similar)*



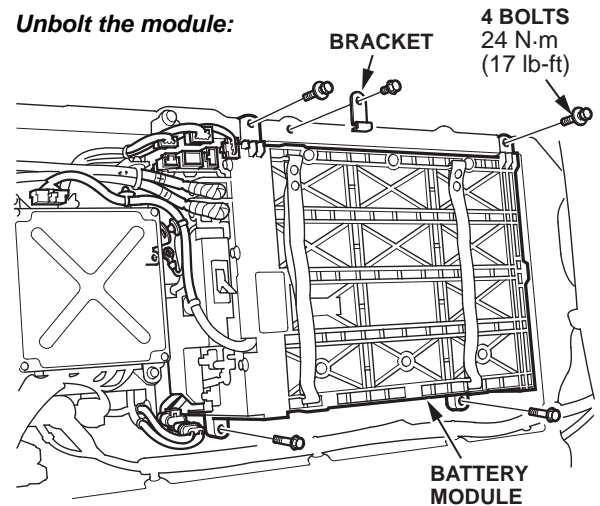
7. 2003–05 Models: Remove the battery module.

- Disconnect the connectors, the Y capacitor ground, and the high voltage cables, and wrap the cables with insulating tape.
- Disconnect the clips.
- Remove the battery bracket.
- Remove the four bolts.

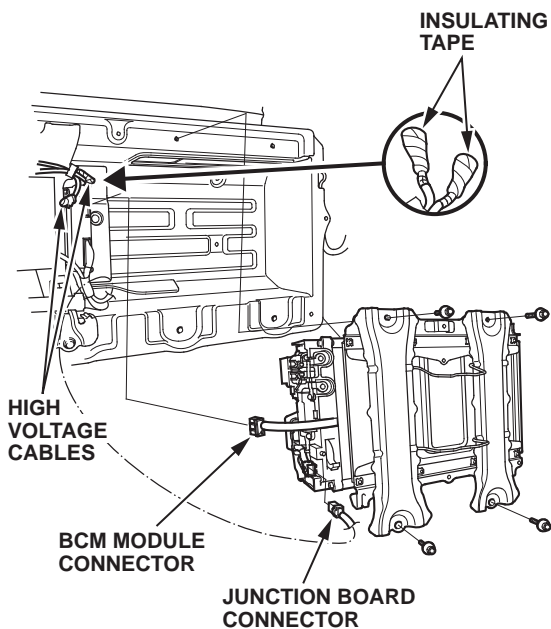
**Disconnect the module harnesses:**



**Unbolt the module:**



8. 2<sup>1</sup>006–08 Models: Remove the battery module.
  - Remove the high voltage cables and wrap them with insulating tape.
  - Disconnect the BCM module connector and the junction board connector.
  - Remove the four bolts.



9. Remove the junction board from the original battery module and install it on the replacement battery module. Refer to Service Bulletin 12-048, *Junction Board Replacement (IMA Battery Module Replacement and Transfer of Junction Board)*.

10. 2003–05 Models: Install the battery module.
  - Reinstall the four bolts and torque them to **24 N•m (17 lb-ft)**.
  - Reinstall the battery bracket.
  - Reconnect the Y capacitor ground.
  - Reconnect the connectors.
  - Reconnect the high voltage cables and torque the bolts to **9.8 N•m (7.2 lb-ft)**.
  - Reconnect the clips.
11. 2006–08 Models: Install the battery module.
  - Reinstall the four bolts and torque them to **22 N•m (17 lb-ft)**.
  - Reconnect the BCM module connector and the junction board connector.
  - Reconnect the high voltage cables.
12. Reinstall the IPU lid.
13. Turn the battery module switch ON.

14. Reinstall the battery module switch lid.
15. Reinstall the seat-back and the rear seat cushion.
16. Do the battery terminal reconnection procedure.
17. Update the BCM software. Refer to Service Bulletin 10-083, *IMA Battery Software And Hardware Updates*.
18. Charge the new battery by starting the engine, and maintaining 3500 to 4000 RPM in park until the IMA battery charge display shows that the IMA battery has 4 bars of charge.